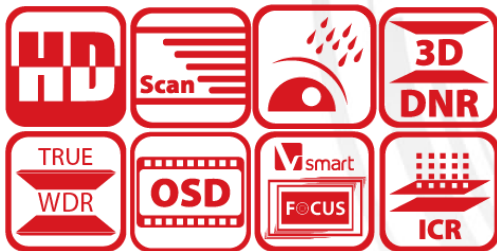


DS-2CE16D5T-IT3 HD1080P WDR EXIR Bullet Camera



Key Features

- 2 Megapixel high-performance CMOS
- Analog HD output, up to 1080P resolution
- True Day/Night
- OSD menu, 3D DNR, Smart IR
- True WDR, up to 120dB
- EXIR technology, up to 40m IR distance
- IP66 weatherproof
- Up the Coax(HIKVISION-C, Pelco-C protocol)



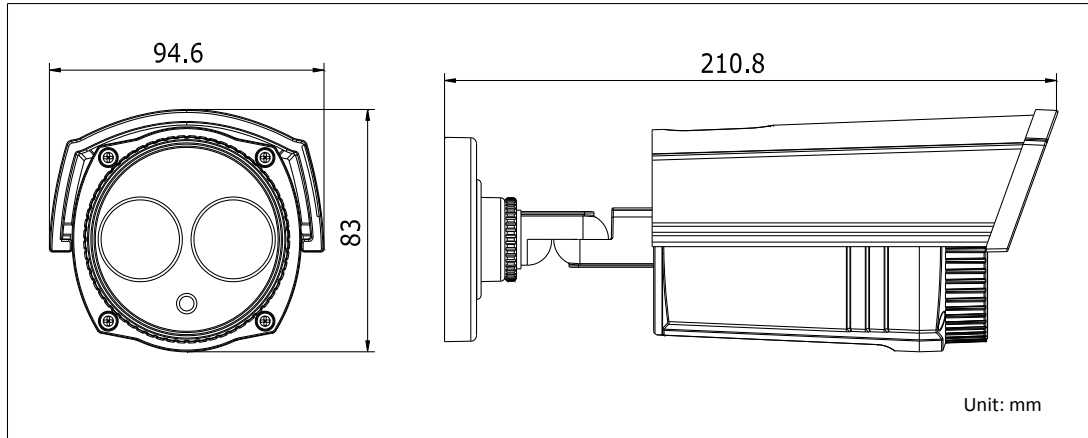
Specifications

| Camera | |
|----------------------|---|
| Image Sensor | 2MP CMOS Image Sensor |
| Signal System | PAL/NTSC |
| Effective Pixels | 1944(H)*1092(V) |
| Min. illumination | 0.01 Lux @ (F1.2,AGC ON),0 Lux with IR |
| Shutter Time | 1/25(1/30)s to 1/50,000s |
| Lens | 3.6mm (2.8mm, 6mm, 8mm, 12mm, 16mm optional) |
| | Angle of View: 82.6°(3.6mm), 103.5°(2.8mm), 54.4°(6mm), 38°(8mm), 24.4°(12mm), 18.9°(16mm) |
| Lens Mount | M12 |
| Day & Night | ICR |
| Angle Adjustment | Pan: 0 - 360°, Tilt: 0 - 180°, Rotation: 0 - 360° |
| Synchronization | Internal synchronization |
| WDR | 120dB |
| Video Frame Rate | 1080p@25fps/1080p@30fps |
| HD Video Output | 1 Analog HD output |
| CVBS Output | 1Vp-p Composite Output(75Ω/BNC) |
| S/N Ratio | > 62dB |
| Menu | |
| Scene | Indoor, Outdoor, Indoor1, LOW-LIGHT |
| Camera ID | On/off (15 characters, position programmable) |
| AGC | Support |
| D/N Mode | Color/BW/EXT |
| White Balance | ATW/ AWC-SET/ Manual |
| Privacy Mask | On/Off, maximum 8 zones |
| Motion Detection | On/Off, maximum 4 zones |
| BLC | Support |
| Anti-flicker | On/off |
| Language | English, Japanese, CHN1, CHN2, Korean, German, French, Italian, Spanish, Polish, Russian, Portuguese, Dutch, Turkish, Hebrew and Arabic |
| Functions | HSBLC, Digital noise reduction, Digital zoom(62x), Slow shutter, Mirror, Defog, Defect pixel correction, SMART D-ZOOM |
| General | |
| Operating Conditions | -30 °C – 60 °C (-22 °F – 140 °F), Humidity 90% or less (non-condensing) |
| Power Supply | 12 VDC ± 15% |
| Power Consumption | Max. 5W |
| Protection Level | IP66 |
| IR Range | Up to 40m |
| Communication | Up the coax, Protocol: Pelco-C(CVBS output), HIKVISION-C(TVI output) |
| Dimensions | 94.6×83×210.8mm(3.72"×3.27"×8.30") |
| Weight | 700g |

Order Models

DS-2CE16D5T-IT3

Dimensions



Accessories



DS-1280ZJ-XS
Junction box



DS-1H18
Video Balun



X41T
Camera Tester

Distributed by



Headquarters

No.555 Qianmo Road, Binjiang District,
Hangzhou 310051, China
T +86-571-8807-5998
overseasbusiness@hikvision.com

Hikvision Poland
T +48-22-460-01-50
poland@hikvision.com

Hikvision USA
T +1-909-895-0400
sales.usa@hikvision.com

Hikvision India
T +91-22-28469900
sales@pramahikvision.com

Hikvision UK
T +44-1628-9021-4
support.uk@hikvision.com

Hikvision Europe
T +31-23-5542770
saleseuro@hikvision.com

Hikvision Italy
T +39-0438-6902
info.it@hikvision.com

Hikvision Singapore
T +65-6684-4718
sg@hikvision.com

Hikvision Middle East
T +971-4-8816086
salesme@hikvision.com

Hikvision France
T +33(0)1-85-330-444
info.fr@hikvision.com

Hikvision Oceania
T +61-2-8599-4233
salesau@hikvision.com

Hikvision Russia
T +7-495-669-67-99
saleru@hikvision.com

Hikvision Spain
T +34-91-737-16-55
info.es@hikvision.com

Hikvision Hong Kong
T +852-2151-1761