

# DS-2CE56D1T-IT1/IT3

## HD1080P EXIR Turret Camera

# TURBO HD



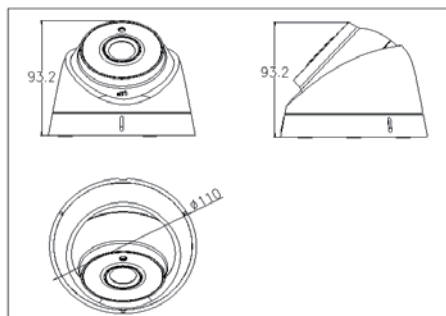
## EXIR



### Key features

- HD1080P Video Output
- Adopt HDTVl Technology
- True Day/Night, Smart IR
- EXIR technology, 20/40m IR distance
- IP66 weatherproof
- OSD menu controlled via UTC

### Dimensions



### Accessories



Indoor / outdoor wall mount  
DS-1272ZJ-110

Video balun  
DS-1H18

### Available models

DS-2CE56D1T-IT1  
DS-2CE56D1T-IT3

	DS-2CE56D1T-IT1	DS-2CE56D1T-IT3
<b>Camera</b>		
Image Sensor	1 / 3" Progressive Scan CMOS	1 / 2.7" Progressive Scan CMOS
Signal System	PAL / NTSC	
Effective Pixels	1930(H)*1088(V)	
Min. Illumination	0.1 Lux @(F1.2,AGC ON), 0 Lux with IR	
Shutter speed	1/25(1/30) s to 1/50,000 s	
Lens	2.8mm	3.6mm (6mm, 8mm optional)
	Angle of View: 90°(2.8mm)	Angle of View: 80°(3.6mm), 55.4°(6mm), 41.6°(8mm)
		3.6mm (6mm, 8mm, 12mm, 16mm optional)
		Angle of View: 80°(3.6mm), 55.4°(6mm), 41.6°(8mm), 26.6°(12mm), 20.6°(16mm)
Lens Mount	M12	
Angle Adjustment	Pan: 0 - 360°, Tilt: 0 - 75°, Rotation: 0 - 360°	
Day & Night	ICR	
Synchronization	Internal synchronization	
Video Frame Rate	1080p@25fps/1080p@30fps	
HD Video Output	1 Analog HD output	
S / N Ratio	More than 52dB	
<b>Menu</b>		
Camera ID	On/off (0-255)	
AGC	Support	
D/N Mode	Color/ BW/ Auto/ EXT	
White Balance	Auto/ User/ Push/ 8000K/ 6000K/ 4200K/ 3000K	
Privacy Mask	On/Off, maximum 2 zones	
Motion Detection	On/Off, maximum 4 zones	
BLC	Support	
Anti-flicker	On/off	
Language	English/Chinese	
Function	Digital noise reduction, Mirror	
<b>General</b>		
Working Temperature / Humidity	-40 °C – 60 °C (-40 °F – 140 °F) Humidity 90% or less (non-condensing)	
Power Supply	12 VDC	
Power Consumption	Max. 3W	
Weather Proof Ratings	IP66	
IR Range	Up to 20m	Up to 40m
Communication	Up the coax Protocol: HIKVISION-C(Coaxitron)	
Dimensions	Φ 110 × 93.2 mm(Φ 4.33" × 3.67")	
Weight	260g (0.57 lb)	